

POWER YOUR FUTURE

Cummins Generator LG500C

KT38-G

Prime Power: 500KW/625KVA

Standby Power: 520KW/650KVA



GENERATING POWER SOLUTIONS

Increased availability for new operations

Reliable, robust and versatile generator.
Ready to deliver power for a next job.

Increased uptime during operations

Once installed on the end-user-site, the generator will be ready to run: "peace of mind" operation.

Reduced transport and installation costs

The compact and robust design with integrated transport features enables faster and safer transport and installation.

Reduced service & maintenance costs

Longer service intervals.
Quicker and more efficient service jobs.

Premium resale value

Designed and built to last.

SAFETY

- Operate safely in accordance with proper operation manual.
- To prevent trouble and accidents, perform daily and preventive maintenance checks without fail.

Cummins Series 25KVA--2000KVA



LONGKAI

FUAN LONGKAI POWER CO.,LTD.

Headquarters:

Add: Wei 5 Road, Tiehu Industrial Zone, Fuan, Fujian, China

Tel: +86-0593-6309773 Fax: +86-0593-6586988

E-mail: sales@longkaipower.com

Web: www.longkaipower.com

Model		LG500C
Rated prime power	kva	625
Rated standard power	kva	650
Rated voltage line to line	V	400/230
Rated current	A	902
Maximun sound level	dB(@7m)	≤102

Engine-DCEC Cummins

Model		KT38-G
Aspiration	4 stroke, 60°V type	12 cylinder
Fuel system		PT type
No. cylinders		V 12
Displacement	Liquid	38
Bore*Stroke	mm	159*159
Compression ratio		15.5:1
Rated speed	r/min	1500
Rated net power(with fan)	Kw	560
Governor type		EFC Electrical
Start Motor	V	24

Exhaust System

Exhaust gas flow	L/s	2242
Exhaust gas temp	°C	538
Max back pressure	kPa	10

Aspiration System

Max inlet pressure	kPa	100
Allow intake resistance	kPa	3.73-6.23
Air flow	L/s	802

Fuel System

100% load(Prime power)	Kg/h	119.0
75% load(Prime power)	Kg/h	88
50% load(Prime power)	Kg/h	62
Fuel tank capacity	L	1500

(External Fuel Tank)

Lubrication System

Oil capacity	L	135.1
Oil consumption	g/kwh	0.85
Oil pressure	kPa	138

(continuous operation)

Cooling System

Coolant capacity	L	106
Thermostat operation range	°C	82-93
Max water temperature	°C	104

Alternator

Model	LONGKAI	LK544FS
	STAMFORD	HCI544FS-S5L1D-F4/S5L1S-F4
Phase		3
Voltage	V	400/230
Wiring Type		3 Phase 4 wire, Y type
Bearing		1
Power factor		0.8
Frequency	Hz	50
Prime power	KW	500
Exciter Type		Brushless, self-excitation
Voltage regulation	%	±0.5
Protection Grade		IP 23
Insulation grade		H/H
Altitude	m	≤1000

Controller-DEESEA

Model	DSE6120MK3
-------	------------

Protective functions:

- Low oil pressure
- High water temperature
- High/low voltage
- High Engine Temperature and Overspeed.
- Voltage regulator frequency regulator
- Emergency stop
- Start failure



Control Module Options



- Auto generator control module
- Control module with "Three Remote Control" functions
- ATS auto load transfer screen
- Synchronising control modules
- Power output cabinet

Standard Features

- Engine(CCEC Cummins)
- Radiator 50°C max,fans are driven by bel
- 24V charge alternator
- Alternator: single bearing alternator IP23, insulation class H/H
- Standard auto control system
- One set of air filter, fuel filter, oil filter
- Main line circuit breaker/MCCB
- Base fuel tank
- Two 24V batteries, rac and cable
- Exhaust system(Ripple flex exhaust pipe, exhaust siphon, flange, muffler)
- User manual

Options

- Battery charge
- Engine heater
- Alternator heater
- PMG
- Water oil separator
- Daily fuel tank
- Remote control panel
- Automatic transfer switch/ATS
- Switch box
- Standard: ● Options:○

Warranty*

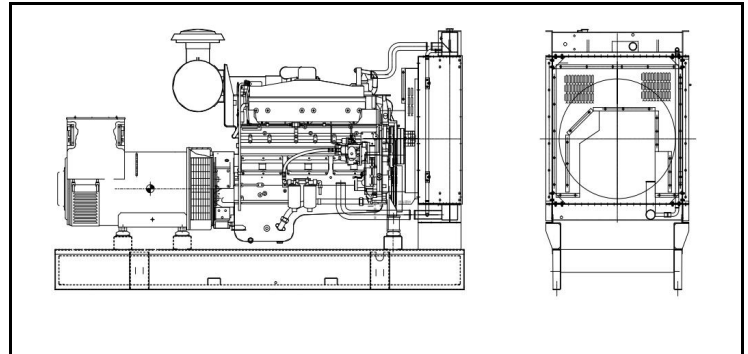
Cummins Engine

12 months from date of purchase and 1000 hours.

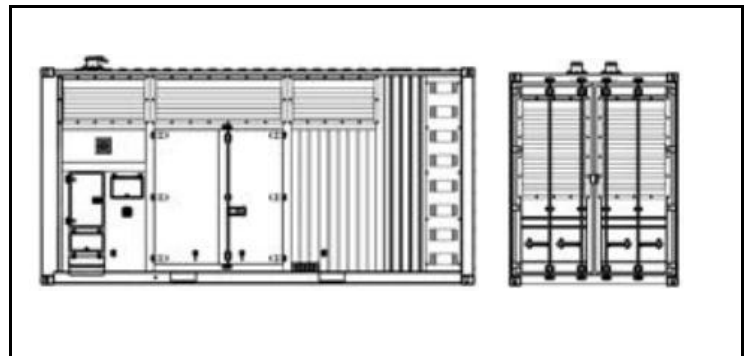
Generator

12 months from date of purchase or 1000 hours (whichever occurs first).

Unit Dimensions(Basic unit)



Open Type		
L*W*H	mm	4400*1760*2250
Weight	kg	4706



Silent Type(Standard 20'ft container)		
L*W*H	mm	6058*2438*2591
Weight	kg	11500