

POWER YOUR FUTURE

SDEC Generator  
LG400SC

SC25G690D2

Prime Power: 400KW/500KVA

Standby Power: 440KW/550KVA



## GENERATING POWER SOLUTIONS

### Increased availability for new operations

Reliable, robust and versatile generator.  
Ready to deliver power for a next job.

### Increased uptime during operations

Once installed on the end-user-site, the generator will be ready to run: "peace of mind" operation.

### Reduced transport and installation costs

The compact and robust design with integrated transport features enables faster and safer transport and installation.

### Reduced service & maintenance costs

Longer service intervals.  
Quicker and more efficient service jobs.

### Premium resale value

Designed and built to last.

### SAFETY

- Operate safely in accordance with proper operation manual.
- To prevent trouble and accidents, perform daily and preventive maintenance checks without fail.

SDEC Series

60KVA--1100KVA



FUAN LONGKAI POWER CO.,LTD.

#### Headquarters:

Add: Wei 5 Road, Tiehu Industrial Zone, Fuan, Fujian, China

Tel: +86-0593-6309773 Fax: +86-0593-6586988

E-mail: sales@longkaipower.com

Web: www.longkaipower.com

## Technical Data

Model	LG400SC	
Rated prime power	kva	500
Rated standard power	kva	550
Rated voltage line to line	V	400/230
Rated current	A	722
Maximun sound level	dB(@7m)	≤100

### Engine-SDEC

Model	SC25G690D2	
Aspiration	V type, four stroke, water cooled, pressurized air cooled	
Fuel system	P type	
No. cylinders	12 V	
Displacement	Liquid	25.8
Bore*Stroke	mm	135*150
Compression ratio	16:1	
Rated speed	r/min	1500
Rated net power(with fan)	Kw	459
Governor type	Electrical	
Start Motor	V	24V×11kW

### Exhaust System

Exhaust gas flow	m <sup>3</sup> /min	88.6
Exhaust gas temp	°C	650
Max back pressure	kPa	6

### Aspiration System

Max inlet pressure	kPa	6
Air flow	m <sup>3</sup> /min	34
Fan consumption	m <sup>3</sup> /s	18

### Fuel System

100% load(Prime power)	L/h	105.2
75% load(Prime power)	L/h	79.6
50% load(Prime power)	L/h	55.3
Fuel tank capacity	L	780

### Lubrication System

Oil capacity	L	65
Oil consumption	g/kwh	/
Oil pressure	kPa	/
(continuous operation)		

### Cooling System

Coolant capacity	L	48
Thermostat operation range	°C	77-90
Max water temperature	°C	104

### Alternator

Model	LONGKAI	LK544C
	STAMFORD	HCI544C-S5L1D-C4/S5L1S-C4
Phase	3	
Voltage	V	400/230
Wiring Type	3 Phase 4 wire, Y type	
Bearing	1	
Power factor	0.8	
Frequency	Hz	50
Prime power	KW	400
Exciter Type	Brushless, self-excitation	
Voltage regulation	%	±0.5
Protection Grade	IP 23	
Insulation grade	H/H	
Altitude	m	≤1000

### Controller-DEEPSEA

Model	DSE6120MK3
-------	------------

Protective functions:

- Low oil pressure
- High water temperature
- High/low voltage
- High Engine Temperature and Overspeed.
- Voltage regulator frequency regulator
- Emergency stop
- Start failure



### Control Module Options



- Auto generator control module
- Control module with "Three Remote Control" functions
- ATS auto load transfer screen
- Synchronising control modules
- Power output cabinet

### Standard Features

- Engine(SDEC)
- Radiator 50°C max,fans are driven by bel
- 24V charge alternator
- Alternator: single bearing alternator IP23, insulation class H/H
- Standard auto control system
- One set of air filter, fuel filter, oil filter
- Main line circuit breaker/MCCB
- Base fuel tank
- Two 24V batteries, rac and cable
- Exhaust system(Ripple flex exhaust pipe, exhaust siphon, flange, muffler)
- User manual

### Options

- Battery charge
  - Engine heater
  - Alternator heater
  - PMG
  - Water oil separator
  - Daily fuel tank
  - Remote control panel
  - Automatic transfer switch/ATS
  - Switch box
- Standard: ●                      Options:○

### Warranty\*

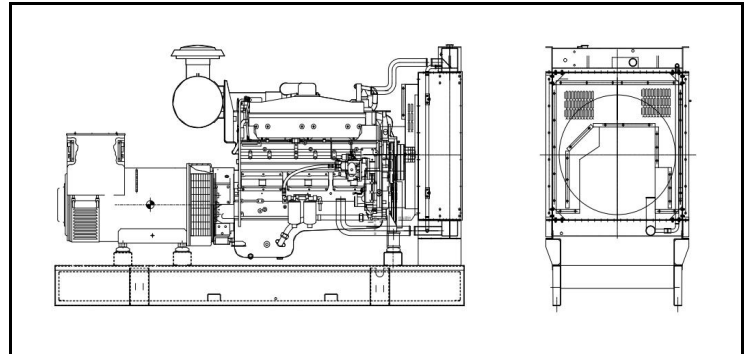
#### SDEC Engine

24 months from date of purchase and 3000 hours.

#### Generator

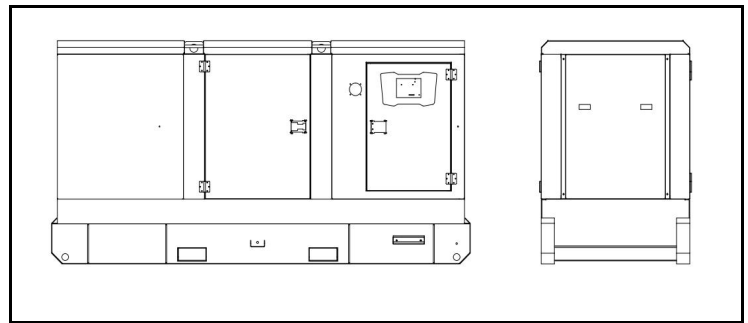
12 months from date of purchase or 1000 hours (whichever occurs first).

### Unit Dimensions(Basic unit)



#### Open Type

L*W*H	mm	3550*1445*2220
Weight	kg	2600



#### Silent Type

L*W*H	mm	4588*1600*2500
Weight	kg	4500